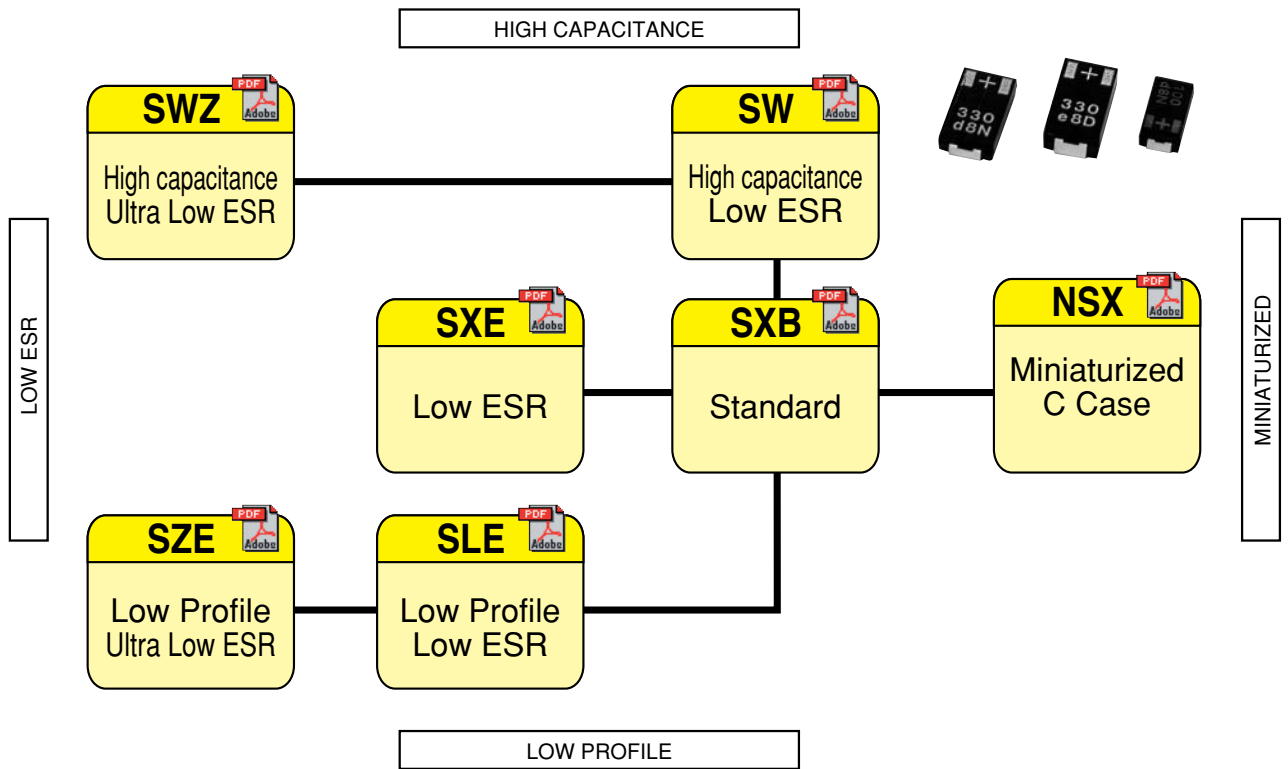




## CONDUCTIVE POLYMER ALUMINUM SOLID ELECTROLYTIC CAPACITORS

### SERIES CHART



## ELECTRIC DOUBLE LAYER CAPACITORS

### SERIES CHART

#### ◆ LEAD WIRE TYPE



**NEW DMC**  
2.7V.DC

**DMB**  
70°C Standard

**DMA**  
60°C Standard

#### ◆ SCREW TERMINAL TYPE



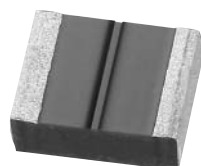
**DSA**  
Low Resistance

**DSB**  
High Capacitance



## POLYMER MULTI-LAYER CAPACITORS

### SERIES CHART

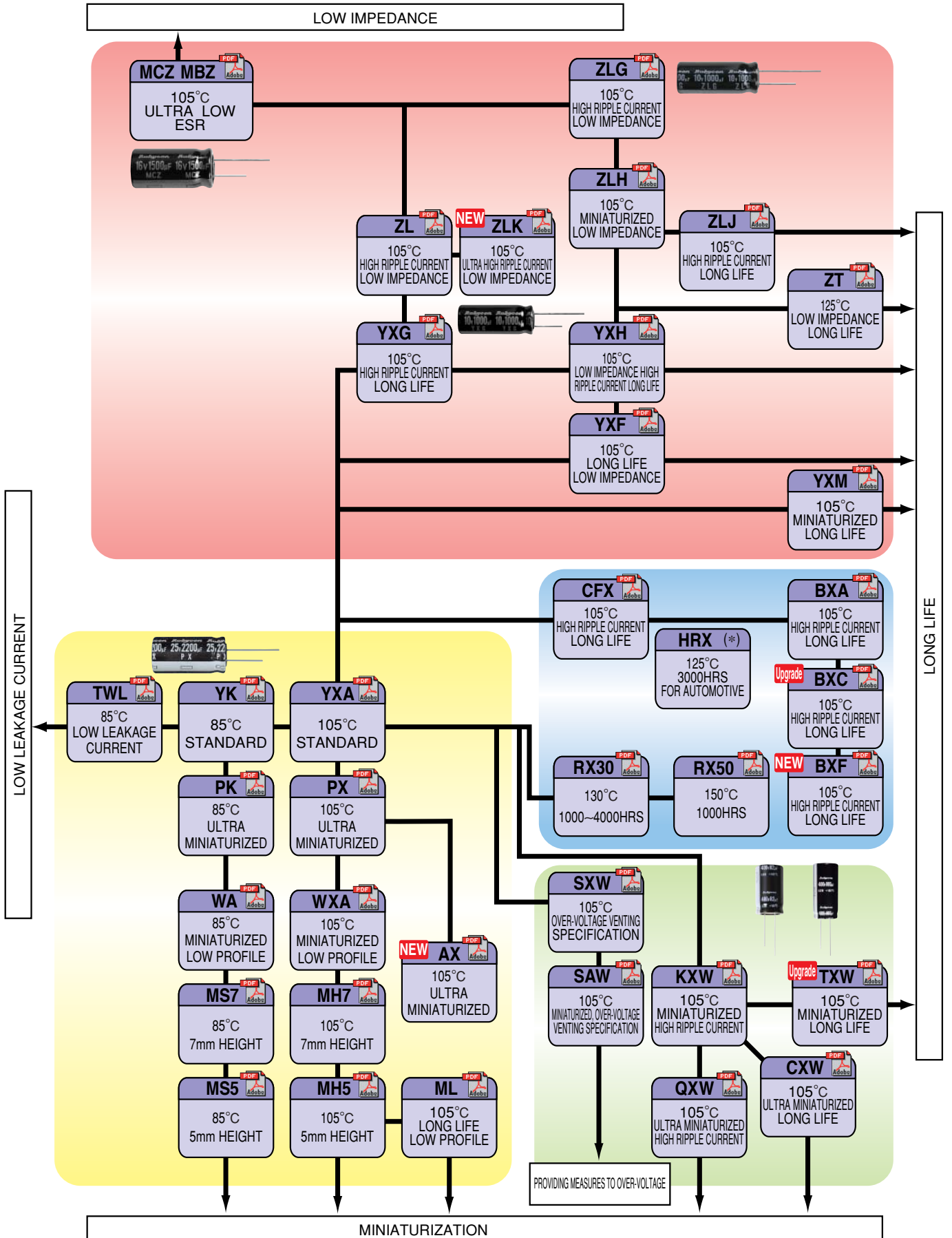


**ST**  
125°C Standard

A custom design of the product is available. Please contact local sales office for detail.

SERIES CHART

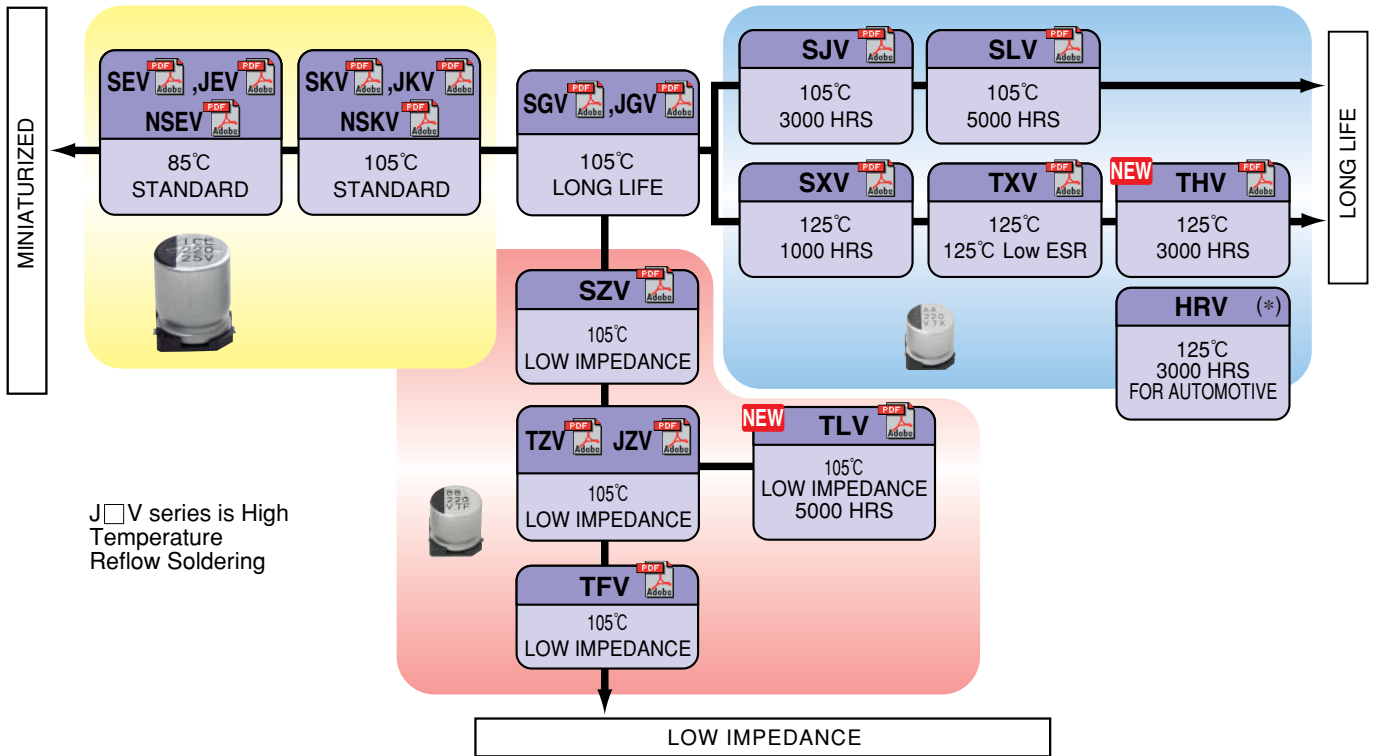
◆ MINIATURE ALUMINUM ELECTROLYTIC CAPACITORS



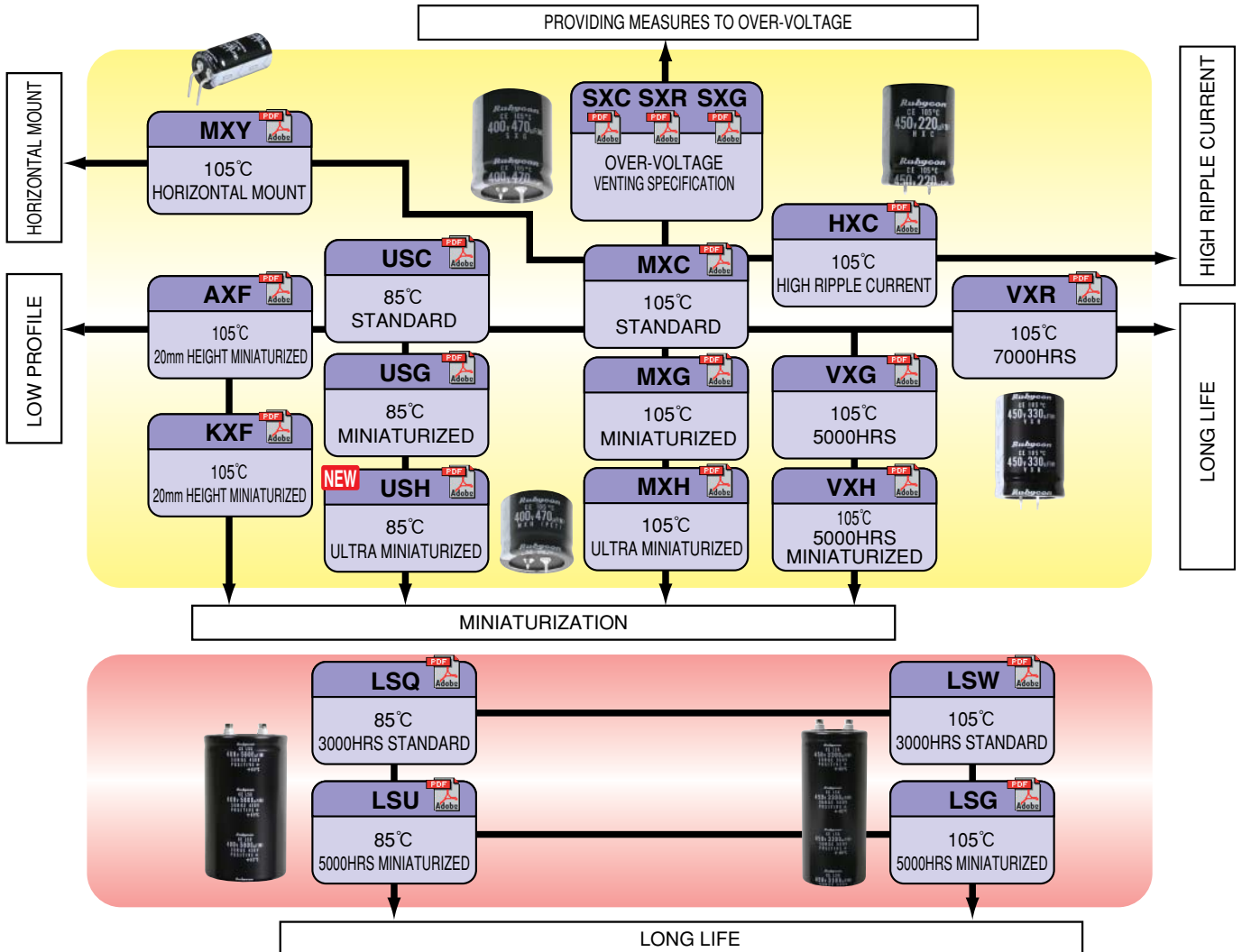
A custom design of the product is available. Please contact local sales office for detail.  
 \*Please contact our sales offices.

**SERIES CHART**

**◆ CHIP TYPE ALUMINUM ELECTROLYTIC CAPACITORS**



**◆ LARGE CAN TYPE ALUMINUM ELECTROLYTIC CAPACITORS**

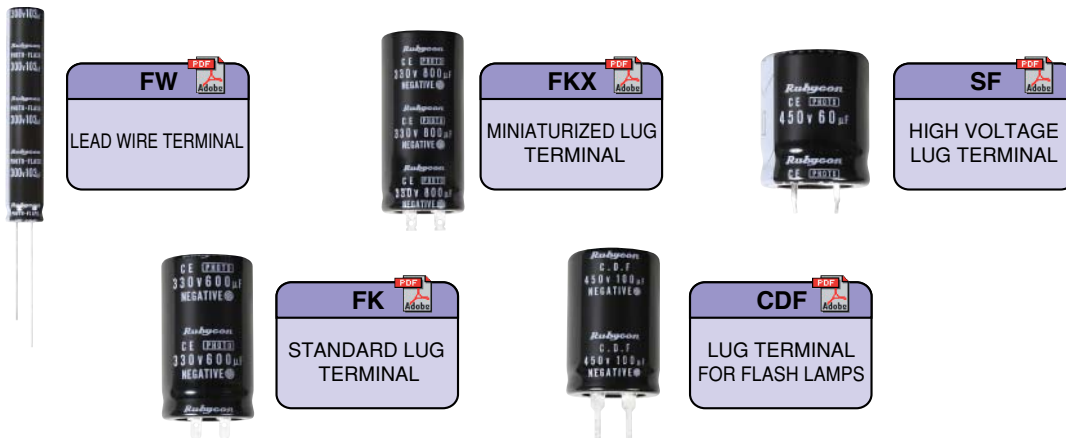


A custom design of the product is available. Please contact local sales office for detail.

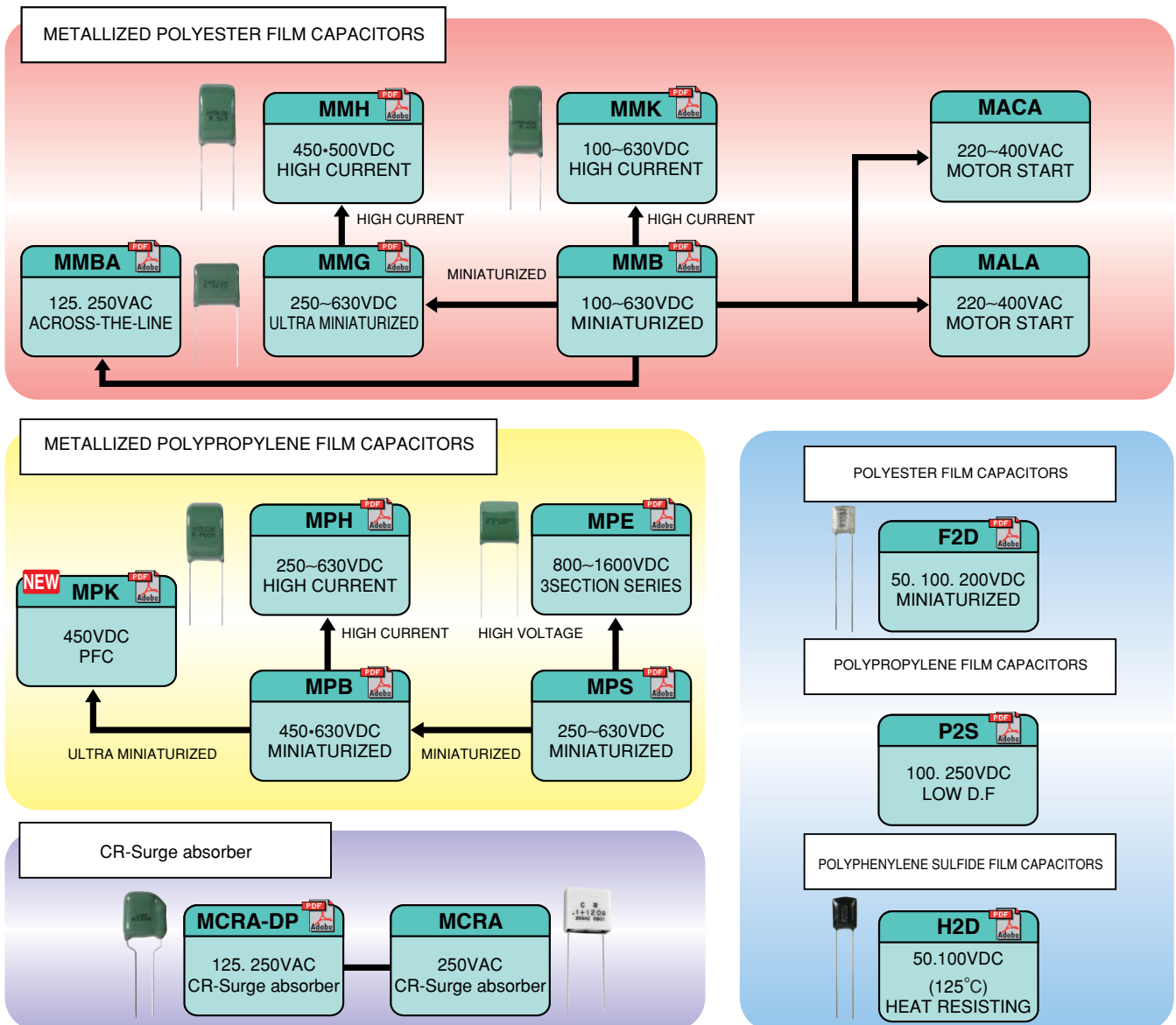
\*Please contact our sales offices.

## SERIES CHART

### ◆ PHOTO FLASH ALUMINUM ELECTROLYTIC CAPACITORS



## ◆ SERIES CHART



A custom design of the product is available. Please contact local sales office for detail.  
 \*Please contact our sales offices.